

PRODUCT CODE: MB3B
MALLEABLE CONDUIT BOX



DESCRIPTION

20mm Malleable Angle Conduit Box

FINISH

Black Enamel

MATERIAL

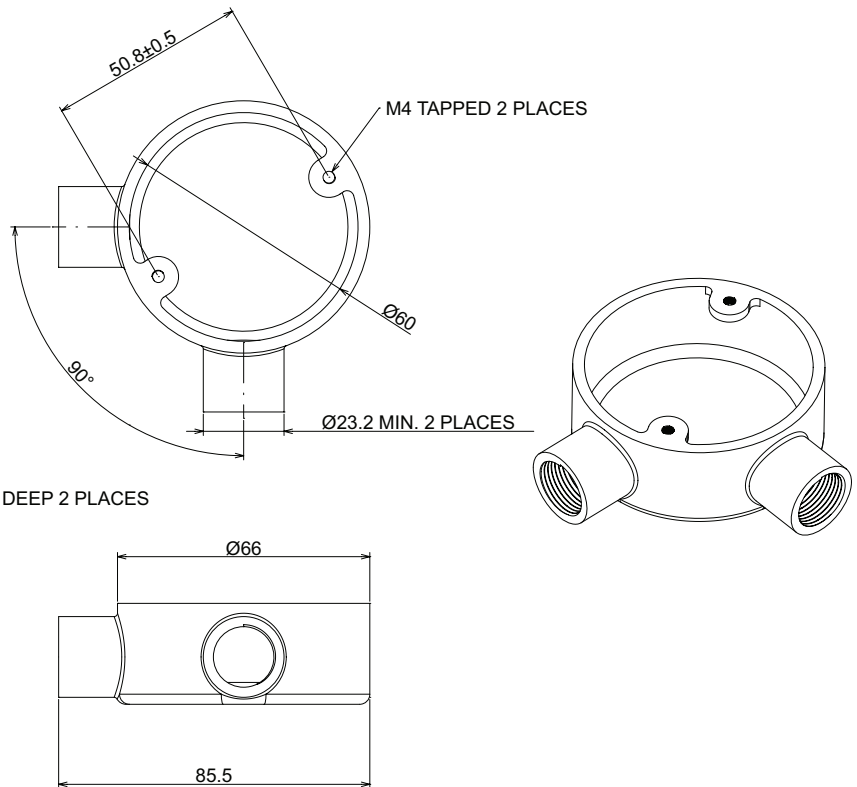
Malleable Iron

PACKAGING

Packed in qty 10

ADDITIONAL NOTES

Conforms to BS EN61386-1:2008
Compliant to LU Standard 1-085 (for use on surface & sub-surface locations)



⊕ Values are nominal and with a general tolerance $\pm 5\%$ unless otherwise specified